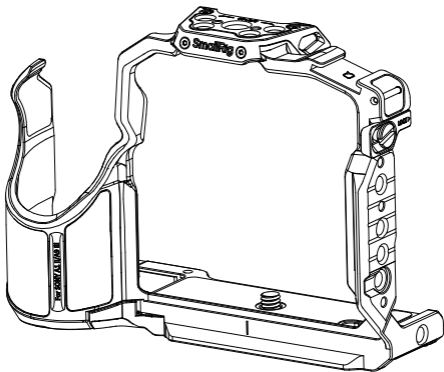


SmallRig



Cage (for Sony Alpha 1 II / Alpha 9 III)

拓展框 (适用于索尼 Alpha 1 II / Alpha 9 III)

Operating Instruction / 操作指引

- Thank you for purchasing SmallRig's product.
感谢您购买 SmallRig 产品。
- Please read this Operating Instruction carefully.
使用本产品之前，请仔细阅读操作指引。
- Please follow the safety warnings.
请注意所有警告提示并遵循使用操作指引的所有指令。

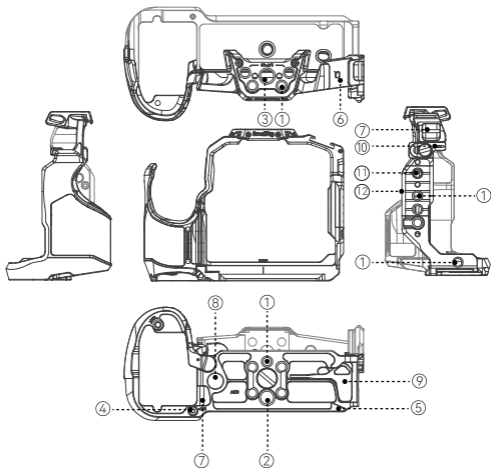
In the Box / 包装清单

Cage × 1	Operating Instruction × 1	Guarantee Card × 1
拓展框	操作指引	保修卡

Specifications / 产品参数

Product Dimensions 产品尺寸	5.8 × 2.8 × 4.4in 147.5 × 70.0 × 112.5mm
Product Weight 产品重量	5.9 ± 0.2oz 166.5 ± 5.0g
Material(s) 主要材质	Aluminium Alloy, Silicone 铝合金, 硅胶

Product Details / 产品介绍



① 1/4"-20 Threaded Hole
1/4"-20 螺纹孔

⑤ H38 Arca-Swiss Plate
H38 快拆阿卡规格快装板

⑨ Dual-Head Wrench
双头扳手

② 3/8"-16 Threaded Hole
3/8"-16 螺纹孔

⑥ H18 Cold Shoe
H18冷靴

⑩ Locating Block
定位压块

③ ARRI 3/8"-16 Locating Hole
阿莱定位孔

⑦ Strap Slot
肩带孔

⑪ 1/4"-20 Locating Hole
1/4"-20 定位孔

④ M4 Threaded Hole
M4螺纹孔

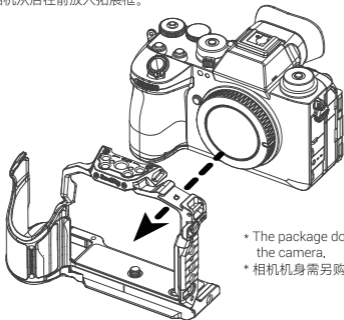
⑧ QD Socket
QD接口

⑫ H21 NATO Rail
H21滑条

Cage Installation / 拓展框安装步骤

(1) Put the camera into the cage from the back.

将相机从后往前放入拓展框。

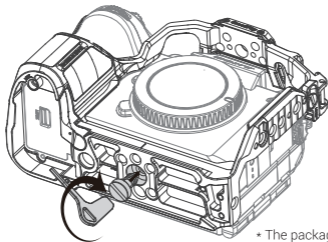


* The package does not include the camera.

* 相机机身需另购

(2) Use the double head wrench to secure the cage by tightening the 1/4"-20 screw.

通过双头扳手拧紧底部1/4"-20螺丝，锁紧固定拓展框。

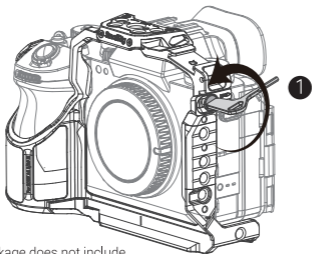


* The package does not include the camera.

* 相机机身需另购

- (3) Use the double head wrench to loosen the 1/4"-20 screw on the left side of the cage, push the locating block until it tilts to the right (about 10-15 degrees), and fix it to the camera's triangular ring, and then use the double head wrench to tighten the 1/4"-20 screw.

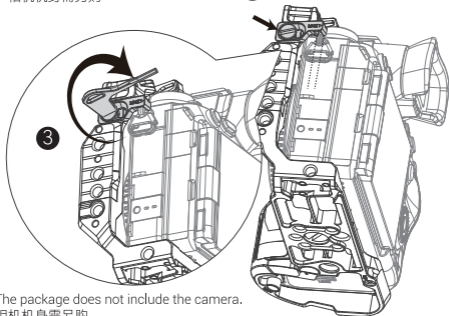
通过双头扳手将左侧1/4"-20螺丝拧松，将滑块向右推动至右边翘起（约10-15度）并卡住相机三角环，再用双头扳手拧紧1/4"-20螺丝。



* The package does not include the camera.

* 相机机身需另购

2 *Press softly / 轻压

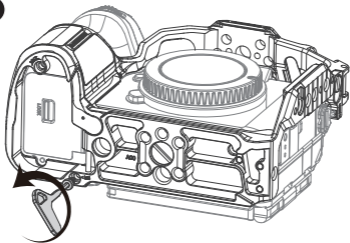


* The package does not include the camera.

* 相机机身需另购

- (4) Use the double head wrench to move the M4 screw on the bottom of the plate to the top left corner of the plate, then secure the cage by tightening.
通过双头扳手将拓展框底部M4螺丝拧至底部左上角螺纹孔中，固定拓展框和相机。

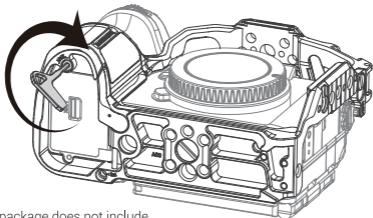
1



* The package does not include the camera.

* 相机机身需另购

2



* The package does not include the camera.

* 相机机身需另购

Manufacturer Email: support@smallrig.com

Manufacturer: Shenzhen Leqi Innovation Co., Ltd.

制造商: 深圳市乐其创新股份有限公司

Add: Rooms 101, 701, 901, Building 4, Gonglianfuji Innovation Park, No. 58, Ping'an Road, Dafu Community, Guanlan Street, Longhua District, Shenzhen, Guangdong, China.

地址: 中国广东省深圳市龙华区观澜街道大富社区平安路58号共联富基创新园4栋101、701、901

Consignor: Shenzhen LC Co., Ltd.

委托商: 深圳市乐长科技有限公司

Add: Room 201, Building 4, Gonglianfuji Innovation Park, No. 58, Ping'an Road, Dafu Community, Guanlan Street, Longhua District, Shenzhen, Guangdong, China.

地址: 中国广东省深圳市龙华区观澜街道大富社区平安路58号共联富基创新园4栋201

执行标准: GB/T 26572-2011

LQ-P1442-18

RoHS



Séparez les éléments avant de trier

中国制造
Made in China



SmallRig

--FREE YOUR DREAM--